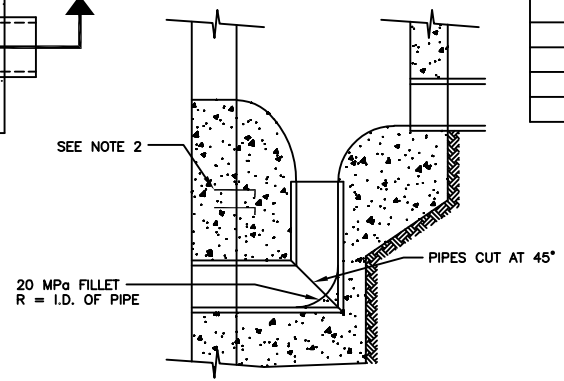
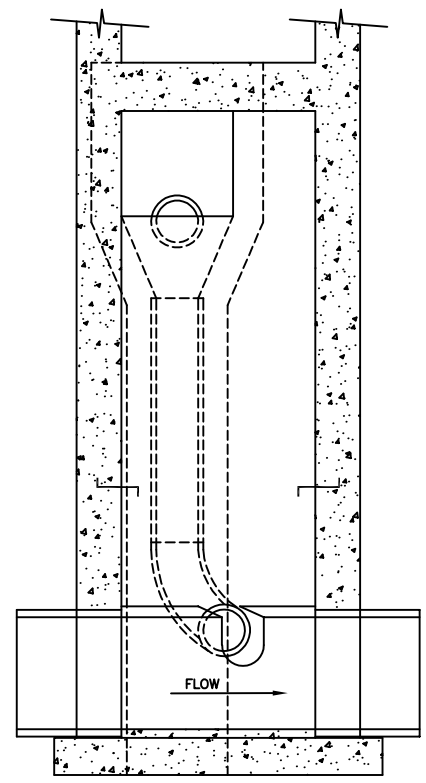
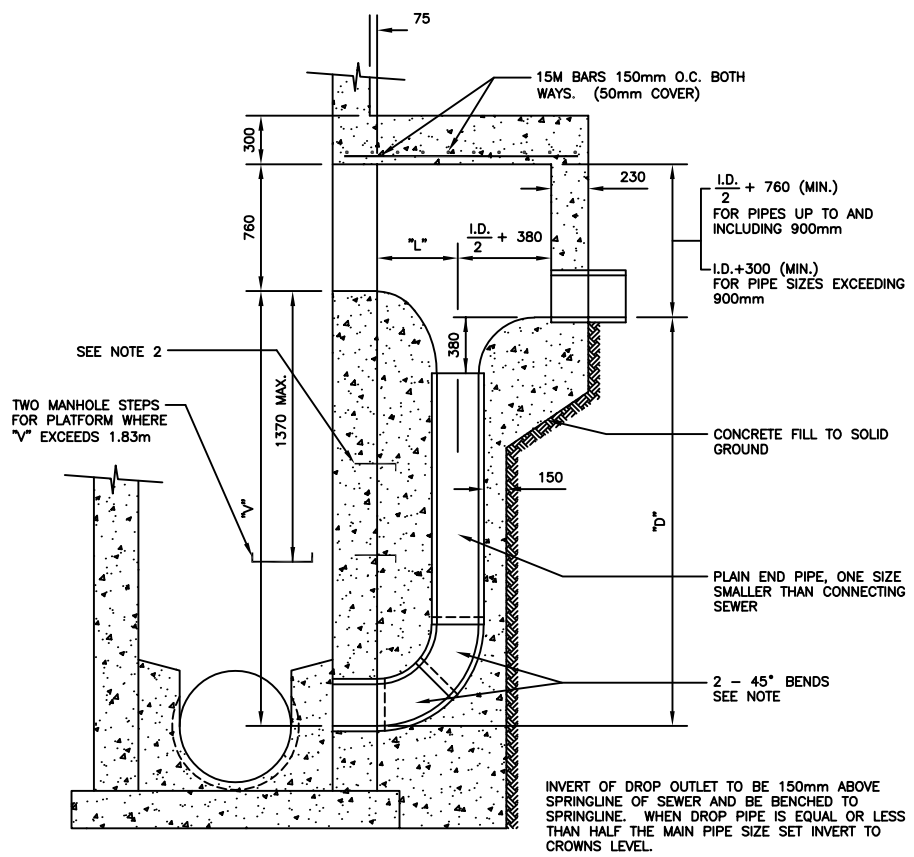


TABLE OF MINIMUM DIMENSIONS		
DROP PIPE DIAMETER	"D"	"L"
	MIN.	MIN.
200-450	1145	610
525	1220	660
600	1320	710
675	1420	760
750	1525	810
825	1625	865
900	1725	915



**THIS DETAIL APPLIES ONLY WHEN "D" IS LESS THAN "D" MIN. IN TABLE**



- NOTES :
- WHEN SIZE OF DROP PIPE EXCEEDS 900mm, A FORMED OR PRECAST 90° BEND WILL BE USED INSTEAD OF TWO 45° BENDS AND DETAILED ON DRAWING.
  - MAINTENANCE HOLE STEPS TO BE PROVIDED ON THE OUTSIDE FACE OF MAINTENANCE HOLE. DROP STRUCTURE TO BE STRAPPED TO THE STEPS WITH STAINLESS STEEL BANDS.

All dimensions are in millimetres unless otherwise noted.

City of Pickering		Engineering Services Department	
DRAWN P. NEUMAN	<h2 style="margin: 0;">SPECIAL DROP CHAMBER</h2> <p style="margin: 0;">TO BE USED WHERE FLOW OVERSHOOTS THE STANDARD DROP CONNECTION</p>	REVISION NO. 2	DATE JULY 2003
APPROVED R. W. HOLBORN		<h1 style="margin: 0;">P-111</h1>	
DATE JANUARY 1993			