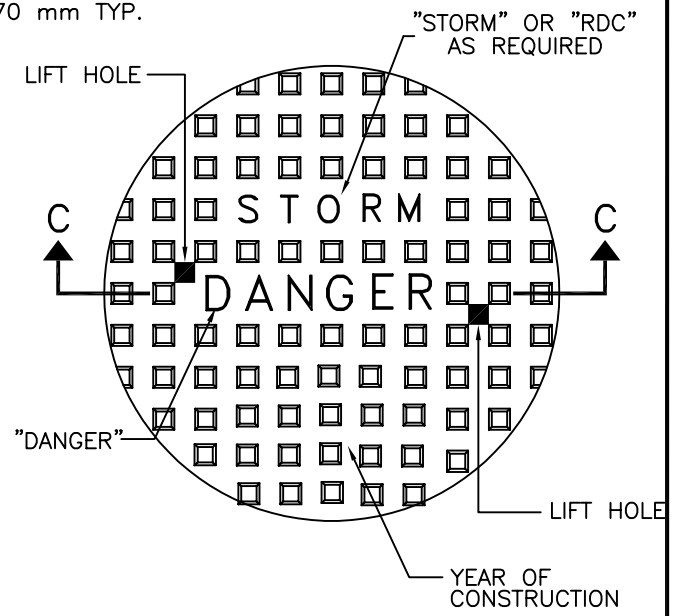
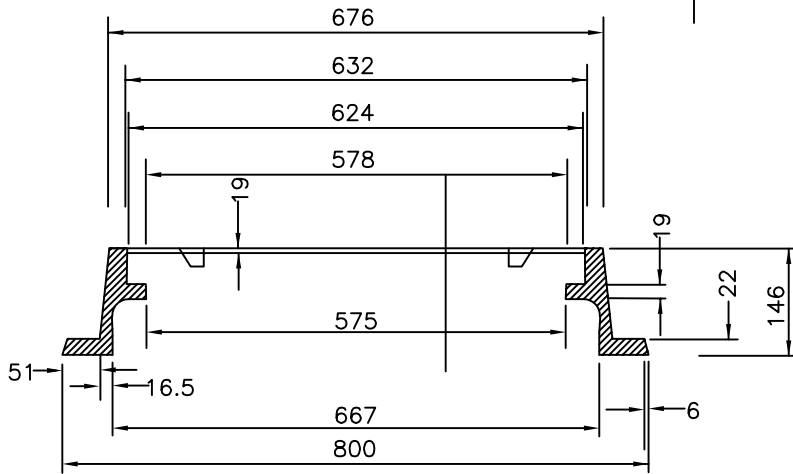


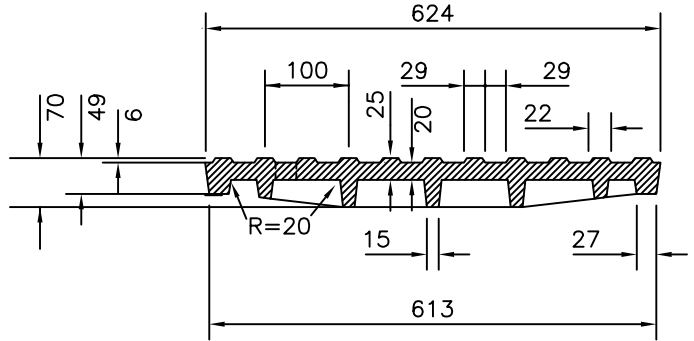
FRAME PLAN



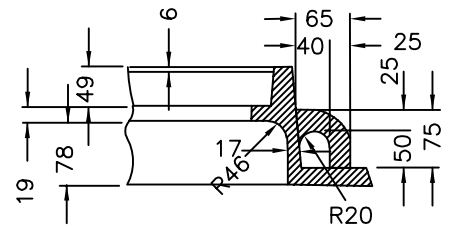
COVER PLAN



SECTION A-A



SECTION C-C



SECTION B-B

NOTES :

1. THE INITIALS OR MARK OF THE MANUFACTURER AND YEAR ARE TO BE DISTINCTLY CAST IN RAISED LETTERS ON BOTH FRAME AND COVER.
2. THE COVER IS TO HAVE "STORM" OR "RDC" DISTINCTLY CAST IN RAISED LETTERS AS REQUIRED.
3. THE COVER IS TO HAVE "DANGER" DISTINCTLY CAST IN RAISED LETTERS.

All dimensions are in millimetres unless otherwise noted.

City of Pickering

Engineering Services Department

DRAWN	J. BARKER
APPROVED	R. STARR
DATE	APRIL 2011

MAINTENANCE HOLE FRAME
AND CLOSED COVER

REVISION NO.	4
DATE	JULY 2019
P-120	