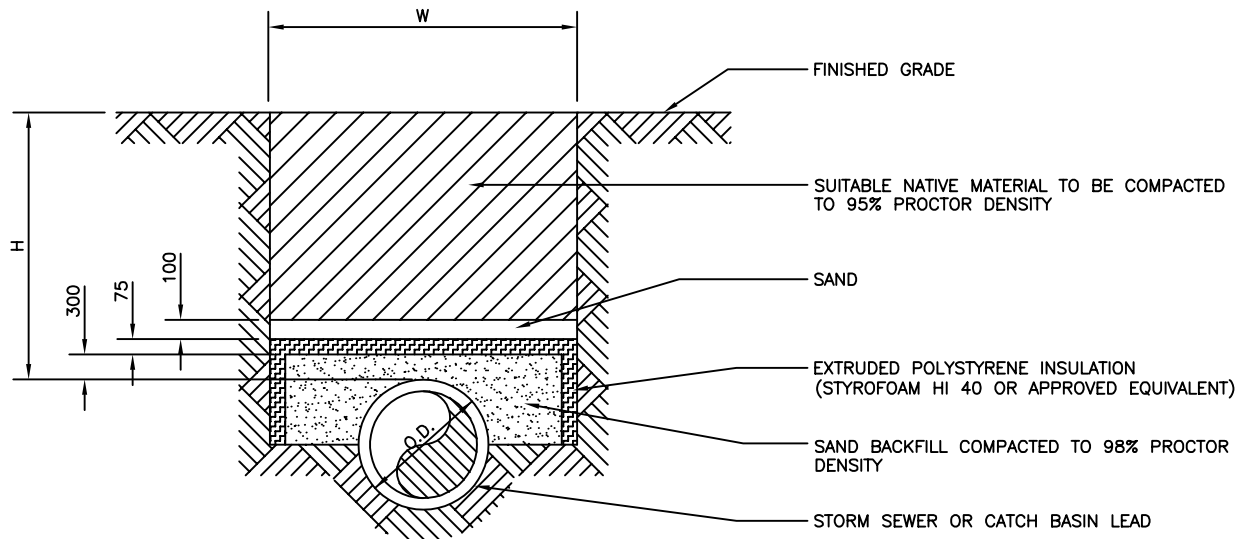


INSULATION OF NEW SERVICES



$W = O.D. + 2 (1500 - H) \text{ OR } O.D. + 600\text{mm}$ WHICHEVER IS GREATER

WHERE W = INSULATION WIDTH
 O.D. = OUTSIDE DIAMETER OF PIPE TO BE INSULATED
 H = DEPTH OF PIPE TO BE INSULATED
 (MAXIMUM = 1200mm)

INSULATION OF EXISTING SERVICES

All dimensions are in millimetres unless otherwise noted.

City of Pickering

Engineering Services Department

DRAWN	P. NEUMAN
APPROVED	R. W. HOLBORN
DATE	JANUARY 1993

METHOD OF INSULATING STORM SEWER AND CATCH BASIN LEADS

REVISION NO.	1
DATE	JULY 2019
P-204	