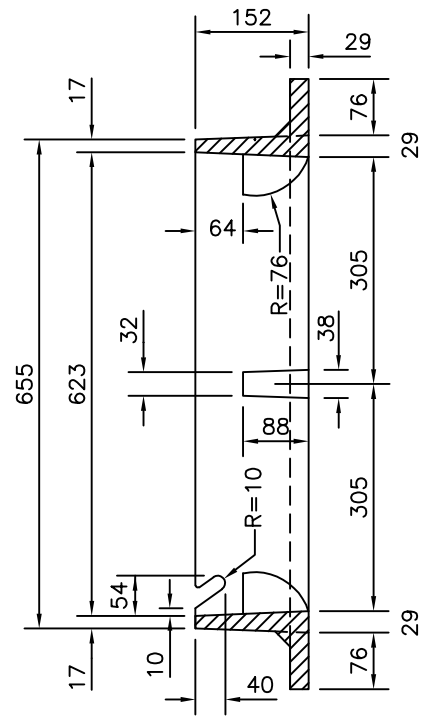
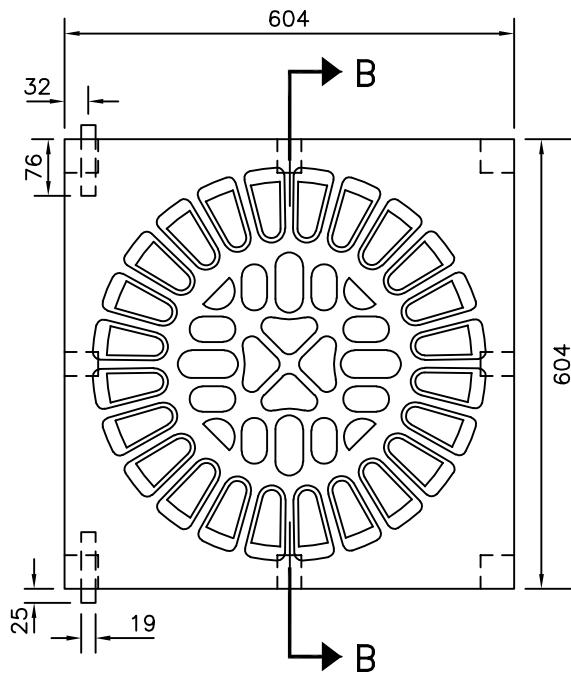


FRAME PLAN



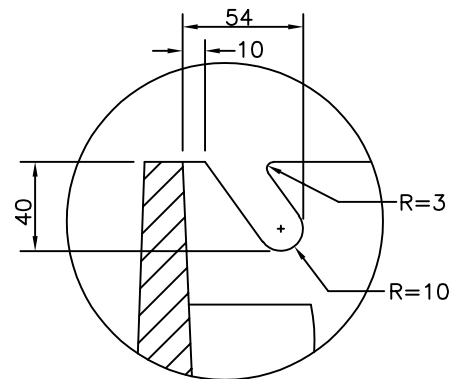
SECTION A-A



GRATE PLAN



SECTION B-B



SLOT DETAIL

All dimensions are in millimetres unless otherwise noted.

City of Pickering		Engineering Services Department	
DRAWN P. NEUMAN	BEEHIVE CATCH BASIN FRAME & COVER	REVISION NO. 1	P-215
APPROVED S. A. VOKES		DATE JULY 2003	
DATE JANUARY 1993			