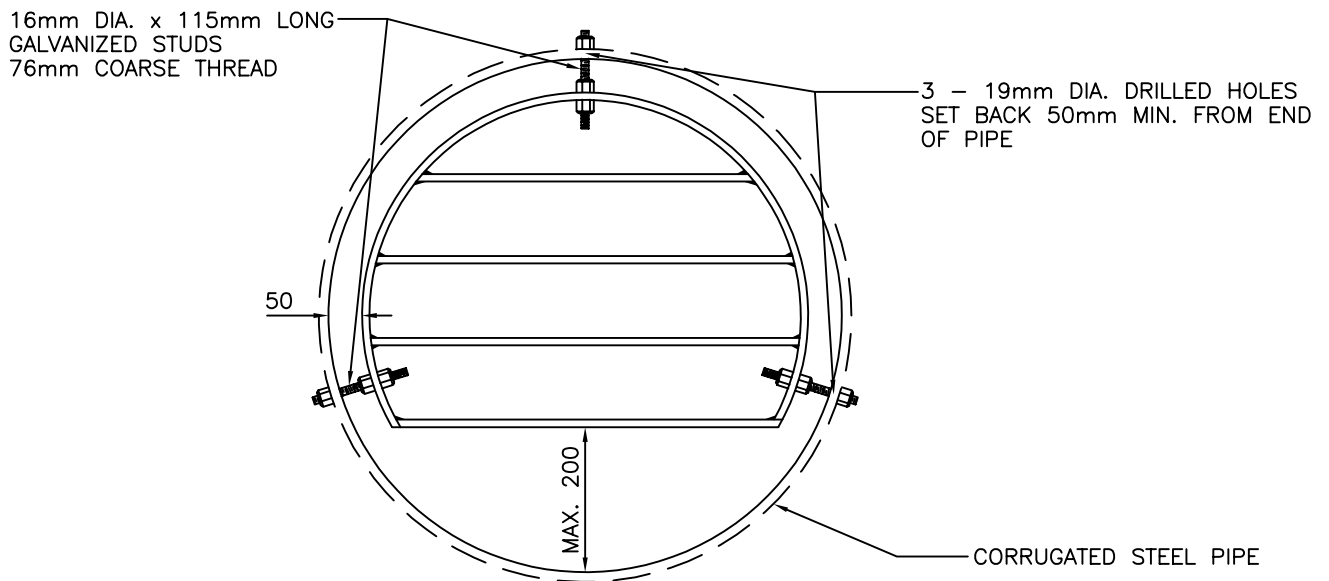


### FABRICATION DETAIL



### ASSEMBLY DETAIL

#### NOTES :

- MATERIALS - ALL COMPONENTS SHALL BE OF WELDING QUALITY MILD CARBON STEEL CONFORMING TO A.S.T.M. A-425.
- FINISH - ALL METAL SURFACES TO BE HOT DIP GALVANIZED AFTER FABRICATION.

All dimensions are in millimetres unless otherwise noted.

City of Pickering

Engineering Services Department

DRAWN  
P. NEUMAN

APPROVED  
S. A. VOKES

DATE  
JANUARY 1993

STORM SEWER OUTFALL GRATE  
(UP TO 750mm DIA. CSP)

REVISION NO. 1

DATE JULY 2003

P-302