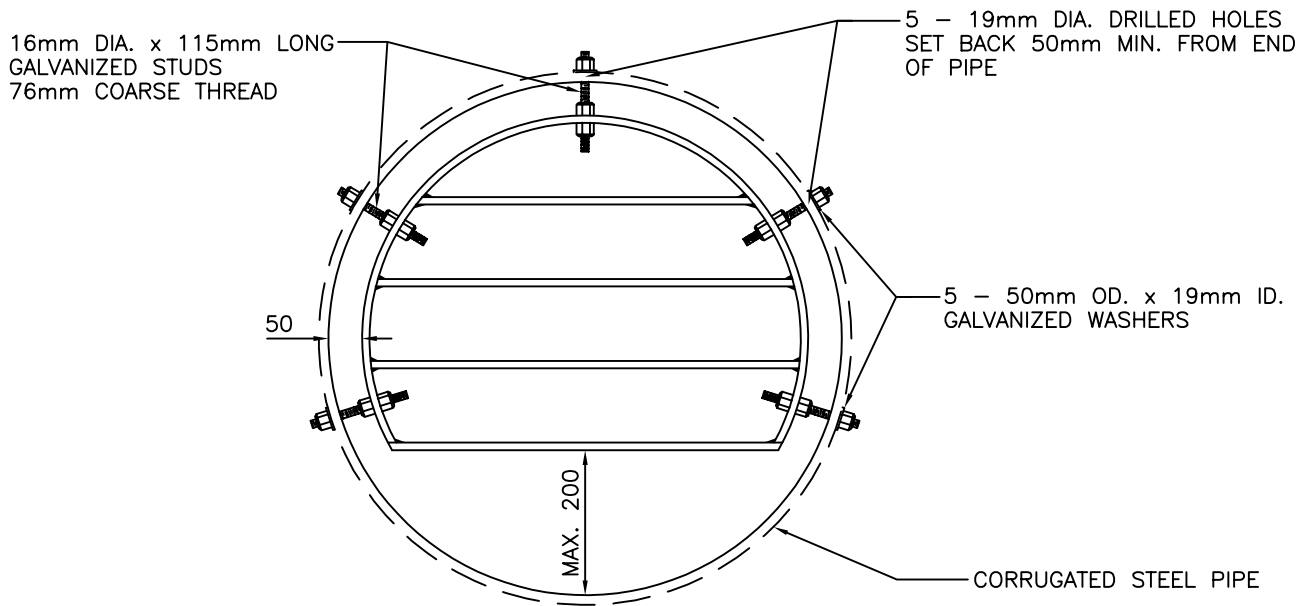


FABRICATION DETAIL



ASSEMBLY DETAIL

NOTES :

- MATERIALS - ALL COMPONENTS SHALL BE OF WELDING QUALITY MILD CARBON STEEL CONFORMING TO A.S.T.M. A-425.
- FINISH - ALL METAL SURFACES TO BE HOT DIP GALVANIZED AFTER FABRICATION.

All dimensions are in millimetres unless otherwise noted.

City of Pickering		Engineering Services Department	
DRAWN P. NEUMAN	STORM SEWER OUTFALL GRATE (800mm TO 1350mm DIA. CSP)		REVISION NO. 1
APPROVED S. A. VOKES			DATE JULY 2003
DATE JANUARY 1993			P-303