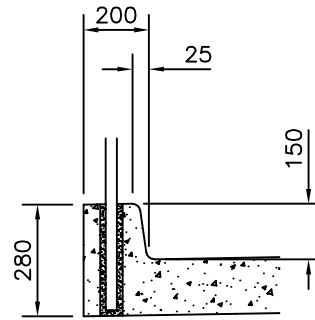
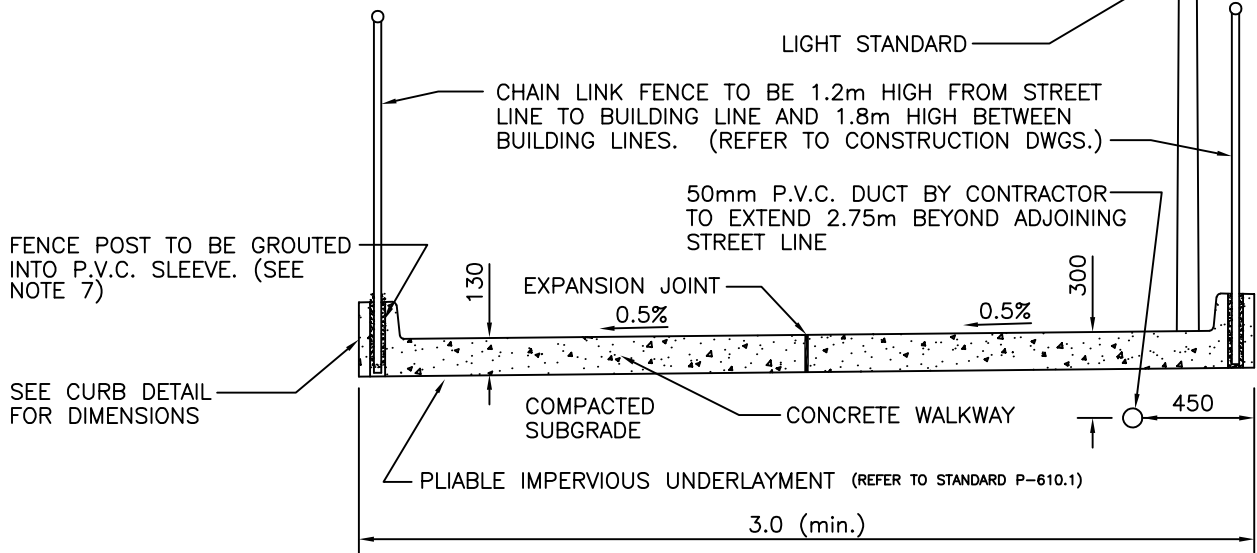


DETAIL OF OPENING FOR
LIGHT STANDARD/SWITCH PEDESTAL



CURB DETAIL



TYPICAL WALKWAY SECTION

NOTES :

1. SEE P-820 FOR CHAIN LINK FENCE AND POST DETAIL. SEE P-614 FOR WALKWAY GATE DETAIL.
2. FENCE TO BE ON WALKWAY SIDE OF POSTS.
3. CONCRETE SHALL BE IN ACCORDANCE WITH CAN/CSA SPECIFICATION A23.1-M90 OR LATEST REVISION TO PRODUCE A CONCRETE HAVING A COMPRESSIVE STRENGTH OF 32MPa AT 28 DAYS AND A MAXIMUM SLUMP OF 80mm AT THE TIME OF PLACING. MAXIMUM SIZE OF AGGREGATE SHALL BE 20mm. AIR CONTENT SHALL BE FROM 5% TO 8% BY VOLUME AT TIME OF PLACING.
4. WALKWAY GRADE SHALL BE BETWEEN 0.5% AND 8.0%.
5. CONTRACTION JOINTS ARE TO BE 25% OF FULL DEPTH OF WALKWAY. (AS PER P-610)
6. EXPANSION JOINTS ARE TO BE 100% OF FULL DEPTH OF WALKWAY AND PLACED WHERE WALKWAY IS TO ABUT ANY RIGID STRUCTURE.
7. INSIDE DIAMETER OF P.V.C. SLEEVE TO BE OUTSIDE DIAMETER OF FENCE POST PLUS 25mm.
8. EXPANSION JOINTS MUST CORRESPOND WITH FENCE POST SLEEVE LOCATIONS.
9. CURING COMPOUND IS TO BE SPRAYED ON ALL EXPOSED SURFACES WITHIN ONE HOUR OF FINISHING.

All dimensions are in millimetres unless otherwise noted.

City of Pickering		Engineering Services Department	
DRAWN P. NEUMAN	CONCRETE WALKWAY	REVISION NO. 3	DATE OCTOBER 2019
APPROVED S. A. VOKES		P-620	
DATE JANUARY 1993			