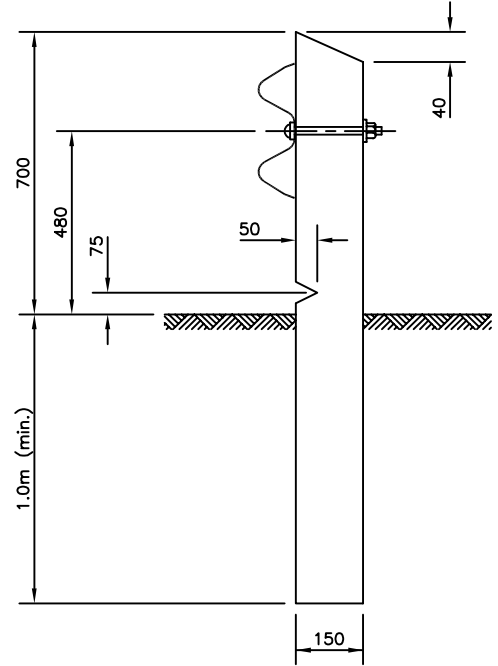
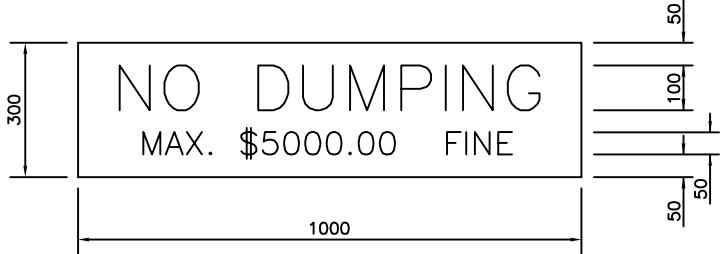


BARRICADE DETAIL



POST DETAIL



SIGN DETAIL

NOTES :

1. ALL SIGNS MUST CONFORM TO THE "ONTARIO TRAFFIC MANUAL"
2. SEE OPSD 912.101 FOR RAIL DETAIL.

All dimensions are in millimetres unless otherwise noted.

City of Pickering		Engineering Services Department	
DRAWN P. NEUMAN	<b>END OF ROAD BARRICADE AND SIGN DETAIL</b>	REVISION NO. 2	
APPROVED S. A. VOKES		DATE NOVEMBER 2019	
DATE JANUARY 1993			<b>P-805</b>